

SAND FILTERS

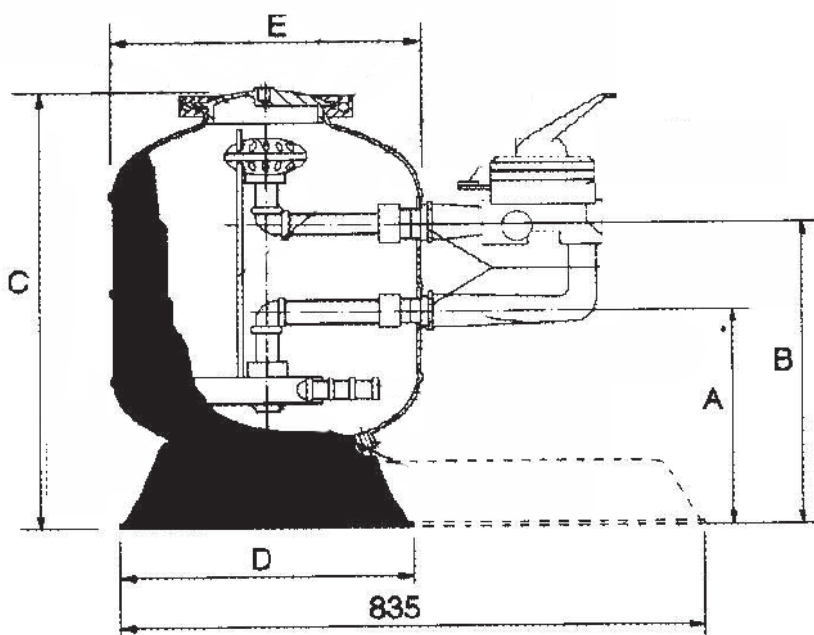


SAND FILTERS

SEVILLA® SAND FILTER UNITS

Sevilla® sand filter unit, complete with base, filter, valve and pump.

Filter and made in polymeric material. All models are mounted with an Ondina pump. With 6-way valve.



Size	D 400 mm	D 500 mm	D 500 mm	D 600 mm
Volt	230	230	230	230
kW	0,25	0,38	0,55	0,75
Filter area in m ²	0,12	0,19	0,19	0,28
Water flow in m ³ /h (50mtr./m ² /h)	6	9,5	9,5	14
Sand in Kg	50	100	100	125
Multivalve connection	1½"	1½"	1½"	1½"

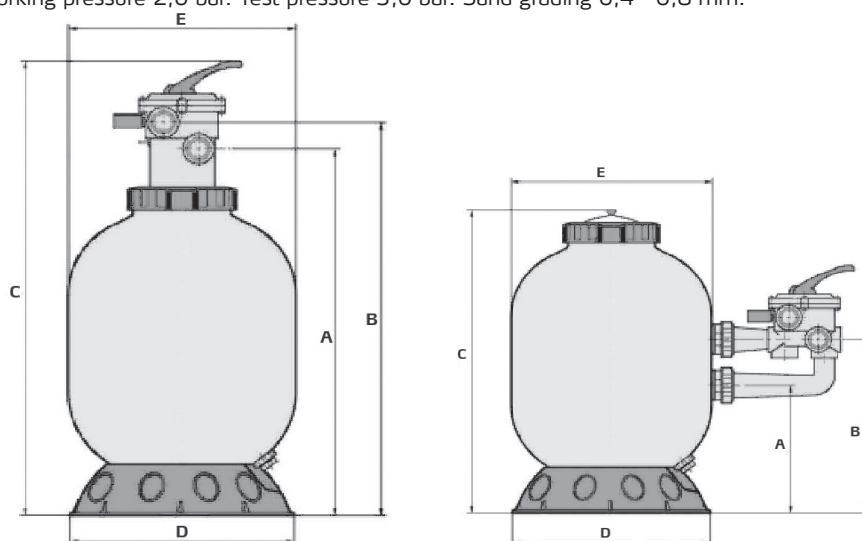
Dimensiones				
A	271	384	384	443
B	396	509	509	568
C	633	793	793	877
D	458	458	458	458
E	400	500	500	600



SAND FILTERS

SEVILLA® SAND FILTERS

Sevilla® sand filter made in polymeric material. Equipped with top or side mounted 6-ways selection valve.
 Top hole D 180 mm. Max. working pressure 2,0 bar. Test pressure 3,0 bar. Sand grading 0,4 - 0,8 mm.
 Max. temperature - 40° C



Specification	D 400 mm	D 500 mm	D 600 mm
Filter area	0,12m ²	0,19m ²	0,28m ²
Max. water flow m ³ /h	6	9,5	14
Sand quantity in kg	50	100	125
Valve connection	1½"	1½"	1½"
Weight in kg. Netto	9	11	14

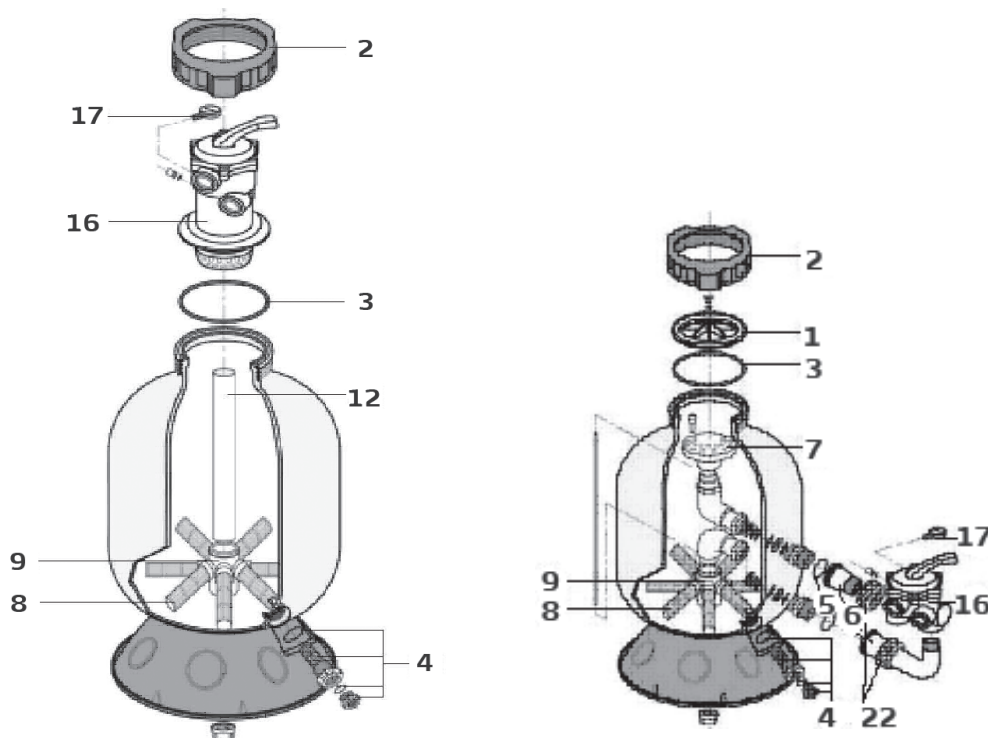
Dimensiones with top mounted valve. In mm.

A	722,1	882	957,8
B	782,1	942	1017,8
C	930,6	1090,5	1166,3
D	503	503	503
E	410	510	610

Dimensiones with side mounted valve. In mm.

A	273,6	346,5	389,3
B	398,6	471,5	514,3
C	622,6	822,5	898,3
D	503	503	503
E	410	510	510

SEVILLA® SAND FILTERS



Part number	Spare part number		
	400 mm	500 mm	600 mm
Sevilla® sand filter spare parts			
01. Lid. (side)	49-211001	49-211001	49-211001
02. Lock ring for valve	49-211002	49-211002	49-211002
03. O-ring for valve	49-211003	49-211003	49-211003
04. Drain kit complete	49-211004	49-211004	49-211004
05. Adaptor kit (5 + 6) Complete (side)	49-200016	49-200016	49-200016
08. Lateral. 1" thread	49-200085	49-200110	49-200150
09. Collector, for 8 pcs. Laterals	49-220013	49-220013	49-220013
16. Multivalve 6-Ways for top mounted	43-130040	43-130040	43-130040
16. Multivalve 6-Ways for side mounted	43-130003	43-130003	43-130003
17. Manometer ¼"	49-000076	49-000076	49-000076
22. Adaptor kit	49-200158	49-200158	49-200158